

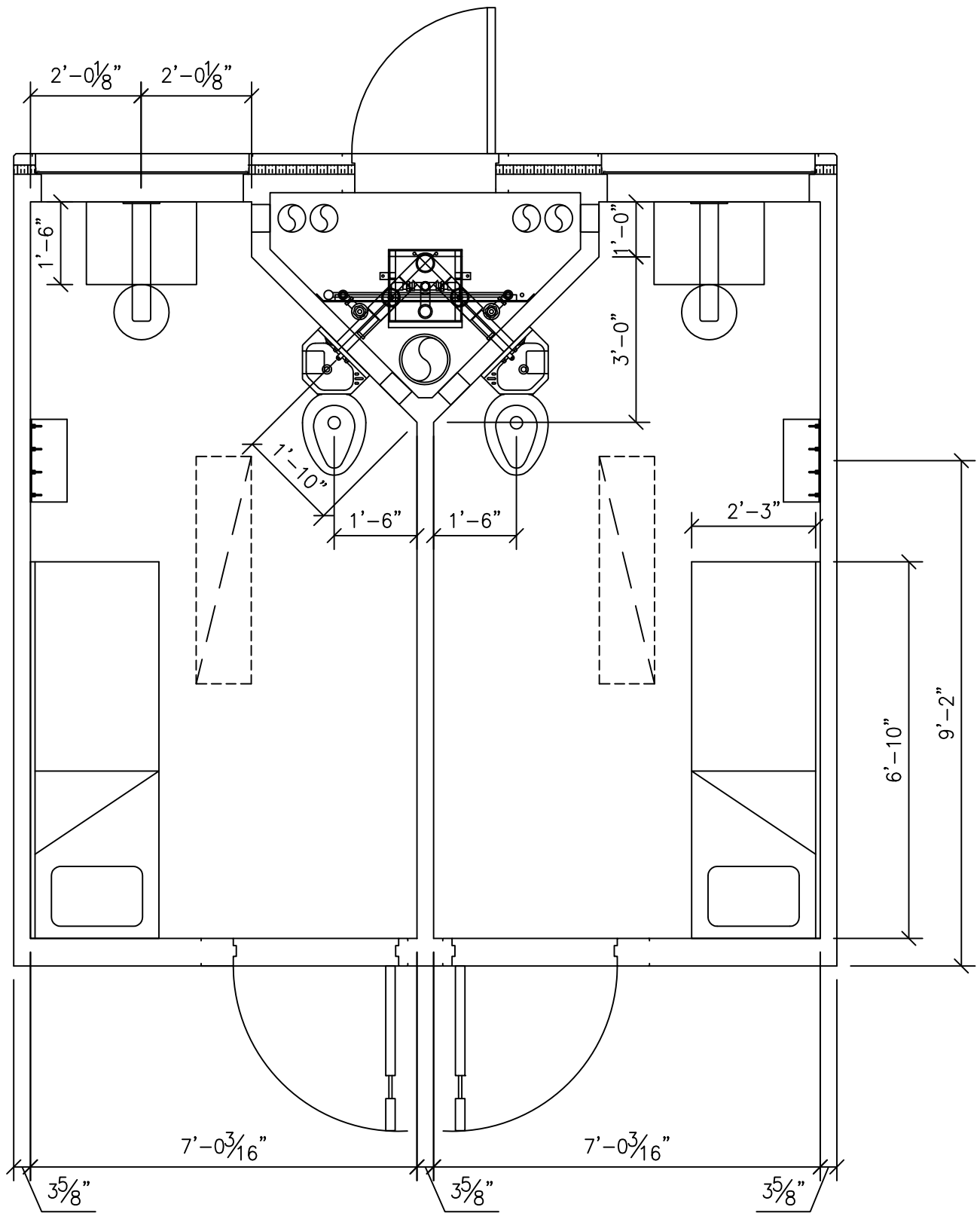
Tindall

TINDALL CORPORATION
 CONLEY CORRECTIONS DIVISION
 P.O. BOX 280, CONLEY, GEORGIA 30288
 3361 GRANT ROAD, CONLEY, GEORGIA 30288
 (404)366-6270 FAX (404)366-1738

85 SF. CELL MODULE (REAR CHASE DESIGN)

For adaptation by architect to federal, state, local building codes

DATE 10/28/08	DESIGN TINDALL	JOB PRISON PROJECT	JOB No. PROPOSED
SCALE NTS	DRAWN SJR	FOR CORRECTIONS AUTHORITY, OWNER, ARCHITECT	MODULE No.



ENCUMBERED AREA: 80.1 SQFT
 UNENCUMBERED AREA: 86.3 SQFT

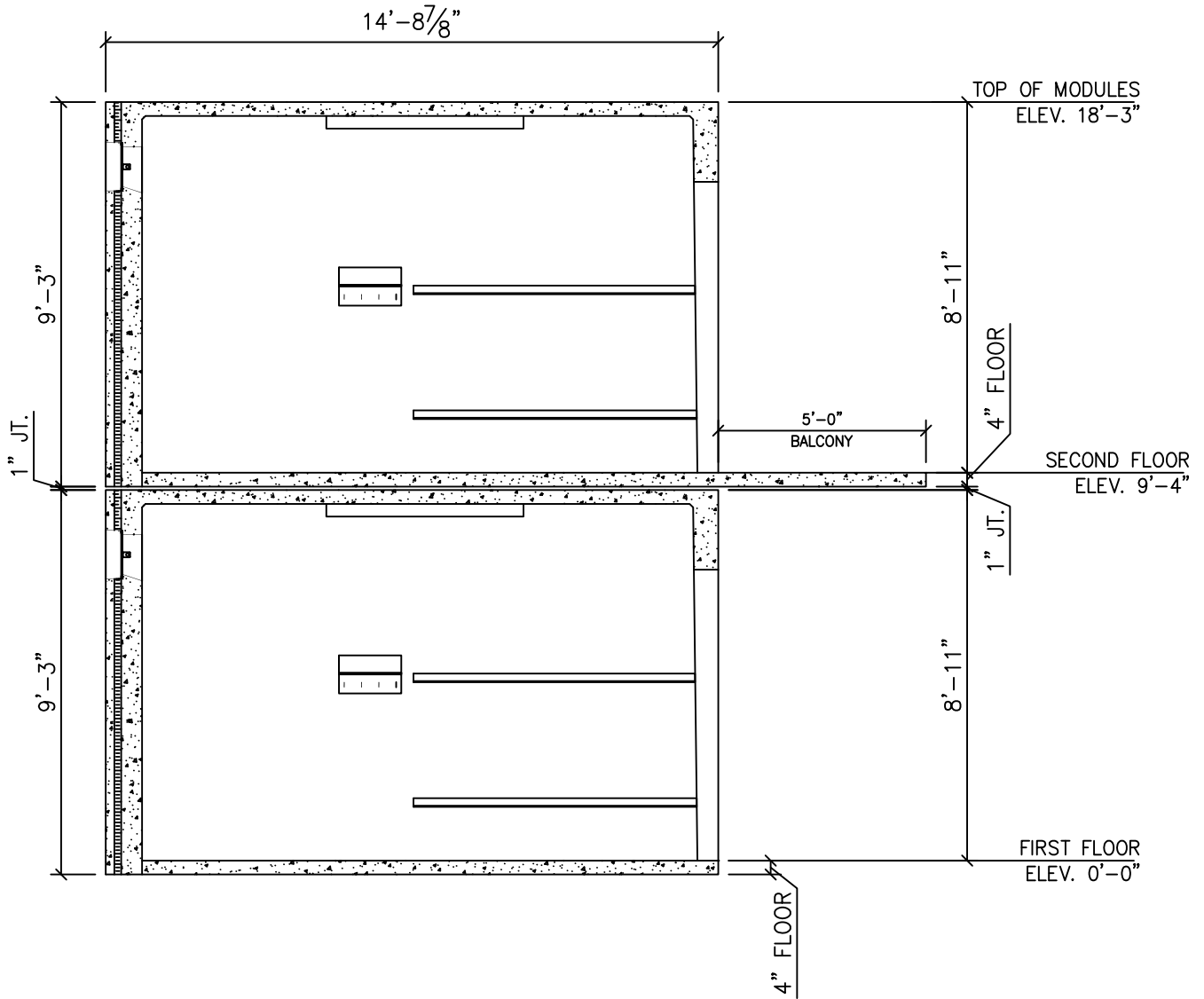
Tindall

TINDALL CORPORATION
 CONLEY CORRECTIONS DIVISION
 P.O. BOX 280, CONLEY, GEORGIA 30288
 3361 GRANT ROAD, CONLEY, GEORGIA 30288
 (404)366-6270 FAX (404)366-1738

85 SF. CELL MODULE (REAR CHASE DESIGN)

For adaptation by architect to federal, state, local building codes

DATE 10/28/08	DESIGN TINDALL	JOB PRISON PROJECT	JOB No. PROPOSED
SCALE NTS	DRAWN SJR	FOR CORRECTIONS AUTHORITY, OWNER, ARCHITECT	MODULE No.



Tindall

TINDALL CORPORATION
 CONLEY CORRECTIONS DIVISION
 P.O. BOX 280, CONLEY, GEORGIA 30288
 3361 GRANT ROAD, CONLEY, GEORGIA 30288
 (404)366-6270 FAX (404)366-1738

85 SF. CELL MODULE (REAR CHASE DESIGN)

For adaptation by architect to federal, state, local building codes

DATE 10/28/08	DESIGN TINDALL	JOB PRISON PROJECT	JOB No. PROPOSED
SCALE NTS	DRAWN SJR	FOR CORRECTIONS AUTHORITY, OWNER, ARCHITECT	MODULE No.