

# Tindall

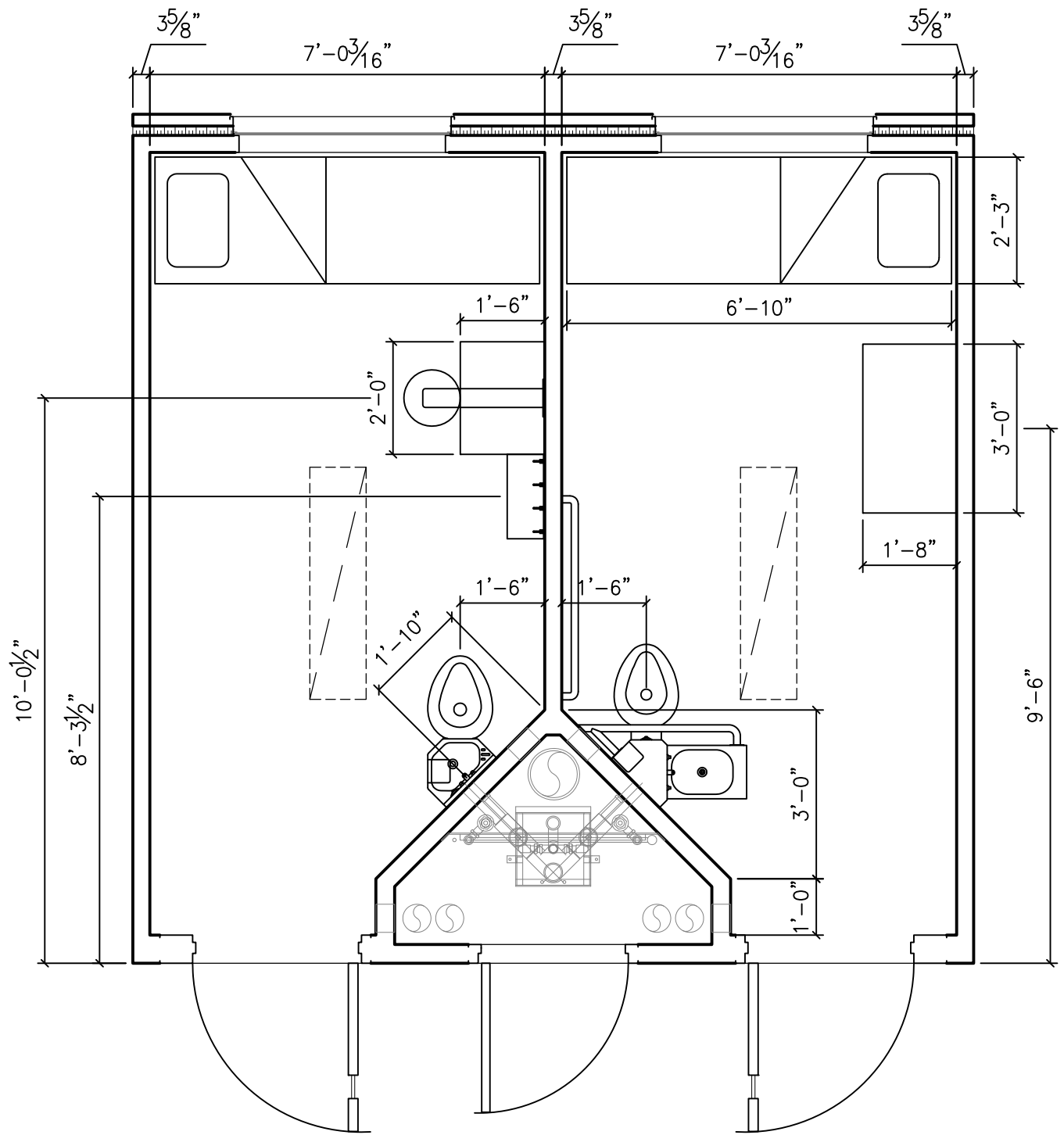
**TINDALL CORPORATION**  
 CONLEY CORRECTIONS DIVISION  
 P.O. BOX 280, CONLEY, GEORGIA 30288  
 3361 GRANT ROAD, CONLEY, GEORGIA 30288  
 (404)366-6270 FAX (404)366-1738

90 SF. CELL MODULE

(FRONT CHASE DESIGN)

For adaptation by architect to federal, state, local building codes

DATE 10/24/08	DESIGN TINDALL	JOB PRISON PROJECT	JOB No. PROPOSED
SCALE NTS	DRAWN SJR	FOR CORRECTIONS AUTHORITY, OWNER, ARCHITECT	MODULE No.



ENCUMBERED AREA: 65.6 SQFT  
 UNENCUMBERED AREA: 90.1 SQFT

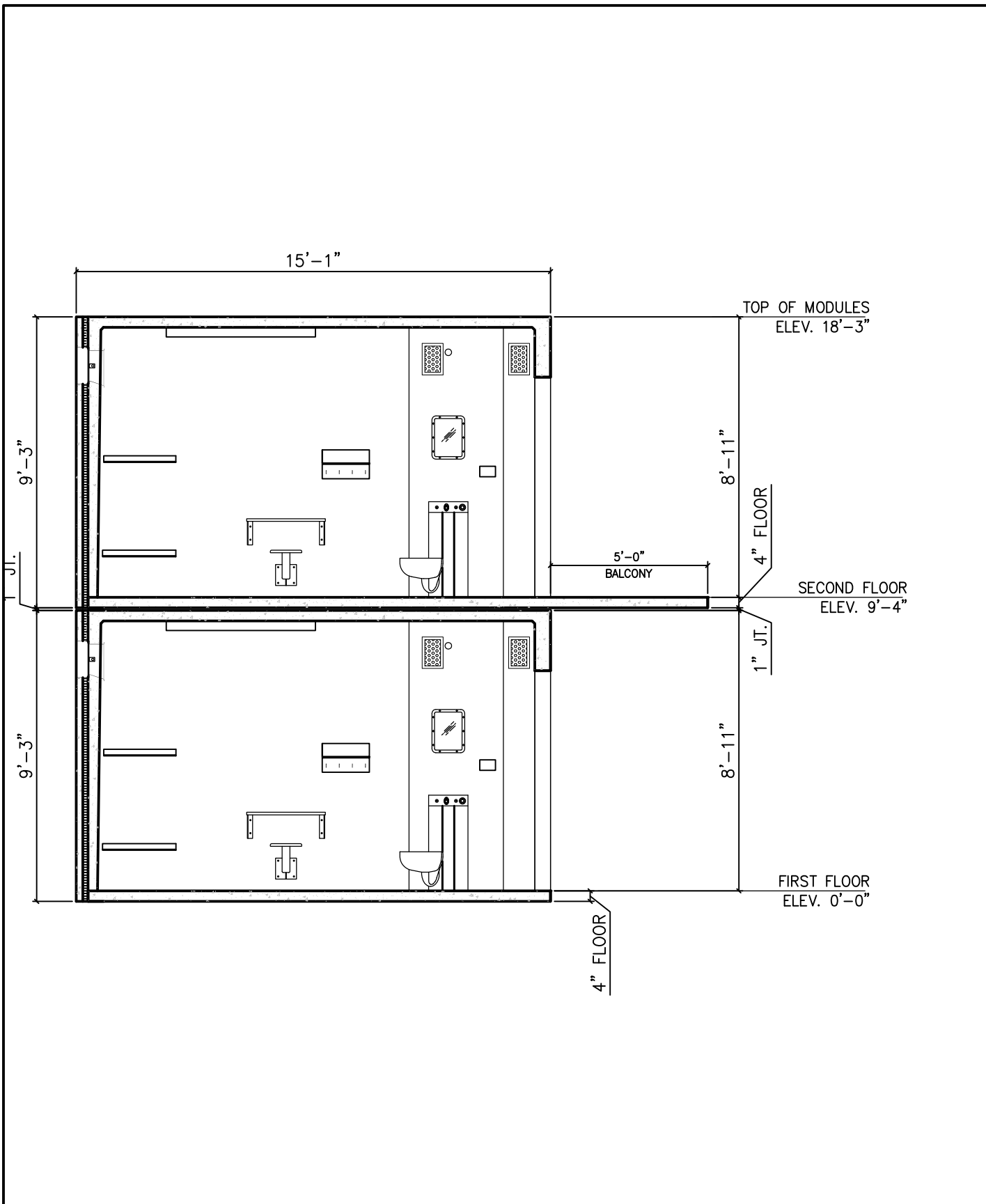
# Tindall

**TINDALL CORPORATION**  
 CONLEY CORRECTIONS DIVISION  
 P.O. BOX 280, CONLEY, GEORGIA 30288  
 3361 GRANT ROAD, CONLEY, GEORGIA 30288  
 (404)366-6270 FAX (404)366-1738

90 SF. CELL MODULE (FRONT CHASE DESIGN)

For adaptation by architect to federal, state, local building codes

DATE	DESIGN	JOB	JOB No.
10/24/08	TINDALL	PRISON PROJECT	PROPOSED
SCALE	DRAWN	FOR	MODULE No.
NTS	SJR	CORRECTIONS AUTHORITY, OWNER, ARCHITECT	



# Tindall

**TINDALL CORPORATION**  
 CONLEY CORRECTIONS DIVISION  
 P.O. BOX 280, CONLEY, GEORGIA 30288  
 3361 GRANT ROAD, CONLEY, GEORGIA 30288  
 (404)366-6270 FAX (404)366-1738

90 SF. CELL MODULE (FRONT CHASE DESIGN)

For adaptation by architect to federal, state, local building codes

DATE	DESIGN	JOB	JOB No.
10/24/08	TINDALL	PRISON PROJECT	PROPOSED
SCALE	DRAWN	FOR	MODULE No.
NTS	SJR	CORRECTIONS AUTHORITY, OWNER, ARCHITECT	