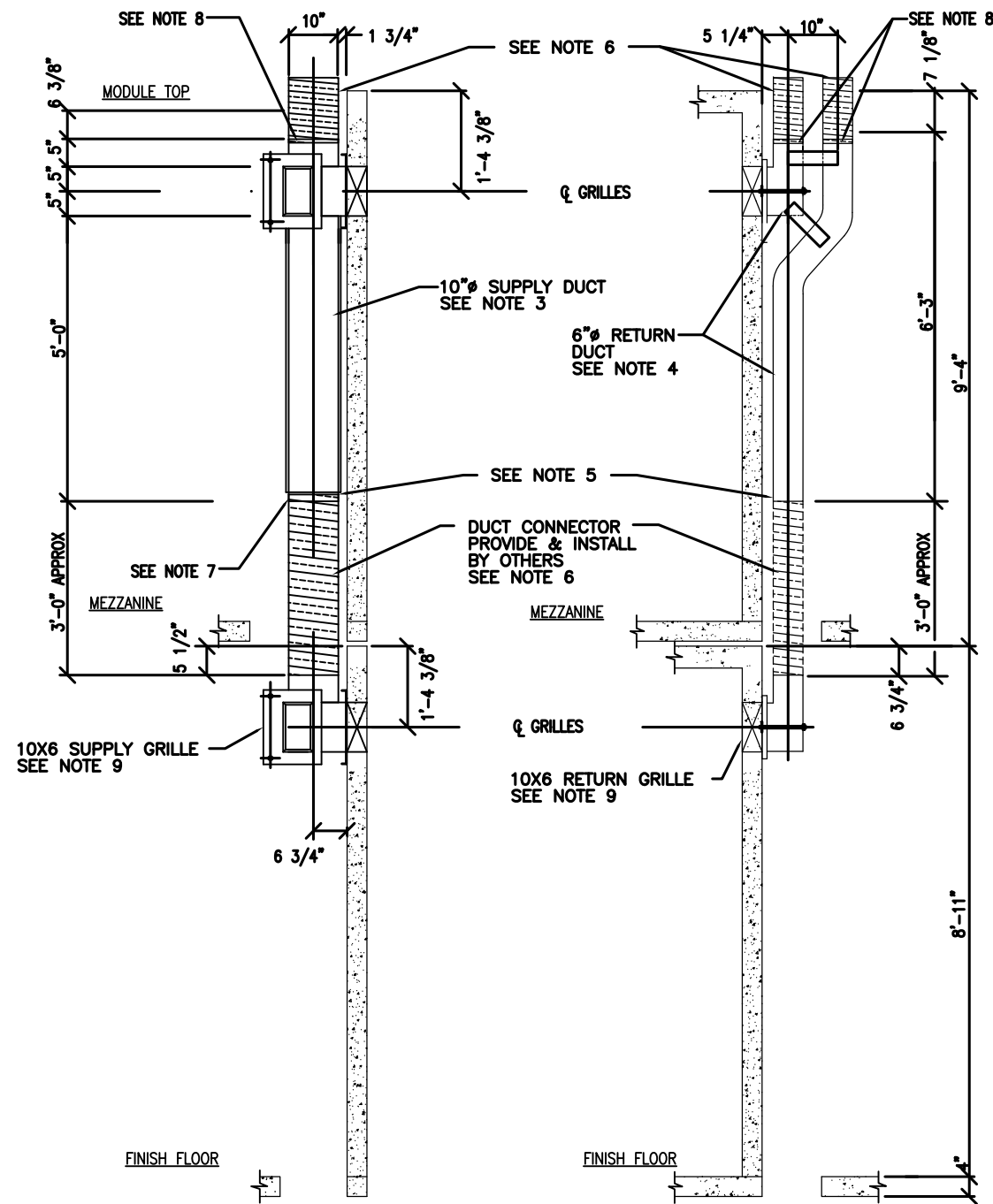


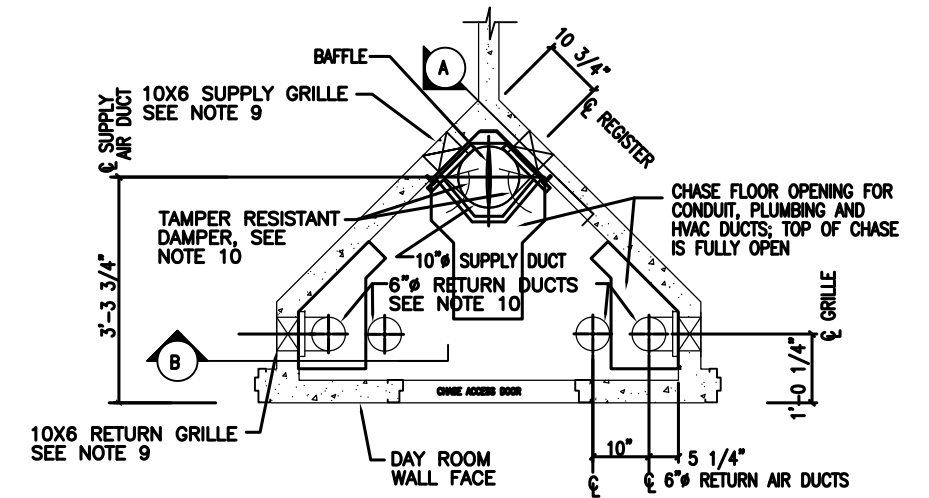
**NOTES / EXCEPTIONS**

- ALL DUCT WILL BE 22 GAUGE GALVANIZED WITH SEALED PITTSBURGH LOCK CORNER CONSTRUCTION. COMPLYING WITH SMACNA STANDARDS.
- INDICATES FURNISH AND INSTALL BY OTHERS:
- SUPPLY DUCT INSULATED WITH 1/2" THICK CLOSED CELL INSULATION.
- RETURN DUCT INSULATED WITH 1/2" THICK CLOSED CELL INSULATION.
- MASTIC, BAND AND ATTACHMENT OF FIRST FLOOR DUCT TO MEZZ. DUCT. BY OTHERS.
- MASTIC, BAND AND ATTACHMENT OF MEZZANINE DUCT TO BUILDING DUCTWORK BY OTHERS.
- LOOSEN CONNECTION IF NECESSARY TO ACHIEVE DUCT FIT.
- CONTRACTOR TO MAINTAIN WEATHER TIGHT INTEGRITY OF COVER LEFT IN PLACE BY CELL MANUFACTURER.
- AIR DEVICES WILL HAVE 3/16" PERFORATED STEEL FACE WITH 5/16" HOLES ON 7/16" STAGGERED CENTERS.
- PIVOT DAMPERS LOCATED IN SUPPLY DUCT ONLY. BALANCING DAMPERS IN RETURN DUCTS ARE NOT PROVIDED BY TINDALL. ALL FLOW DAMPER ADJUSTMENTS AND FLOW BALANCING BY OTHERS.
- IT IS THE RESPONSIBILITY OF THE ARCHITECT TO CONFIRM THAT TINDALL'S CHASE DESIGN IS IN ACCORDANCE WITH ALL STATE AND LOCAL CODES. ANY MODIFICATION TO THE CHASE TO MEET THE PROJECT SPECIFIC CODE REQUIREMENTS IS THE RESPONSIBILITY OF OTHERS.

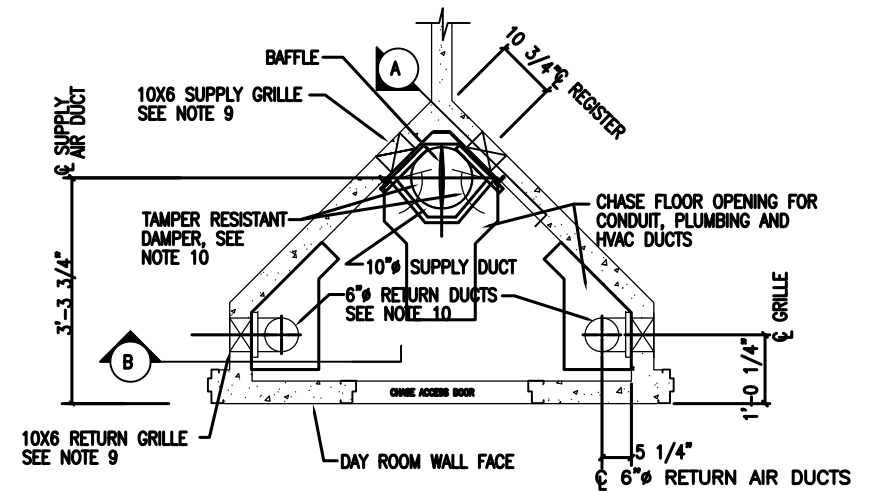


(A) SECTION A  
ER320 NOT TO SCALE

(B) SECTION B  
ER320 NOT TO SCALE



(2) UPPER LEVEL CELL CHASE PLAN  
ER320 NOT TO SCALE



(1) LOWER LEVEL CELL CHASE PLAN  
ER320 NOT TO SCALE

PRINT RECORD		 <b>Tindall</b> TINDALL CORPORATION CONLEY CORRECTIONS DIVISION P.O. BOX 280, CONLEY, GEORGIA 30208 3361 GRANT ROAD, CONLEY, GEORGIA 30208 (404)386-8270 FAX (404)386-1738		<b>TINDALL STANDARD</b> MECHANICAL (HVAC) DETAILS			
				ARCHITECT: _____ CONTRACTOR: _____		DRAWN: CJW DATE: 7/11/08 CHK'D: _____ DATE: _____ SCALE: N.T.S. JOB NO: XXXXX SHEET: ER320	
		<b>REVISIONS</b>					
NO.	DATE	BY	DESCRIPTION				