

NOTE: 2" OF  
POLYISOCYANURATE  
INSULATION IN BACK WALLS  
PROVIDING R 13.7

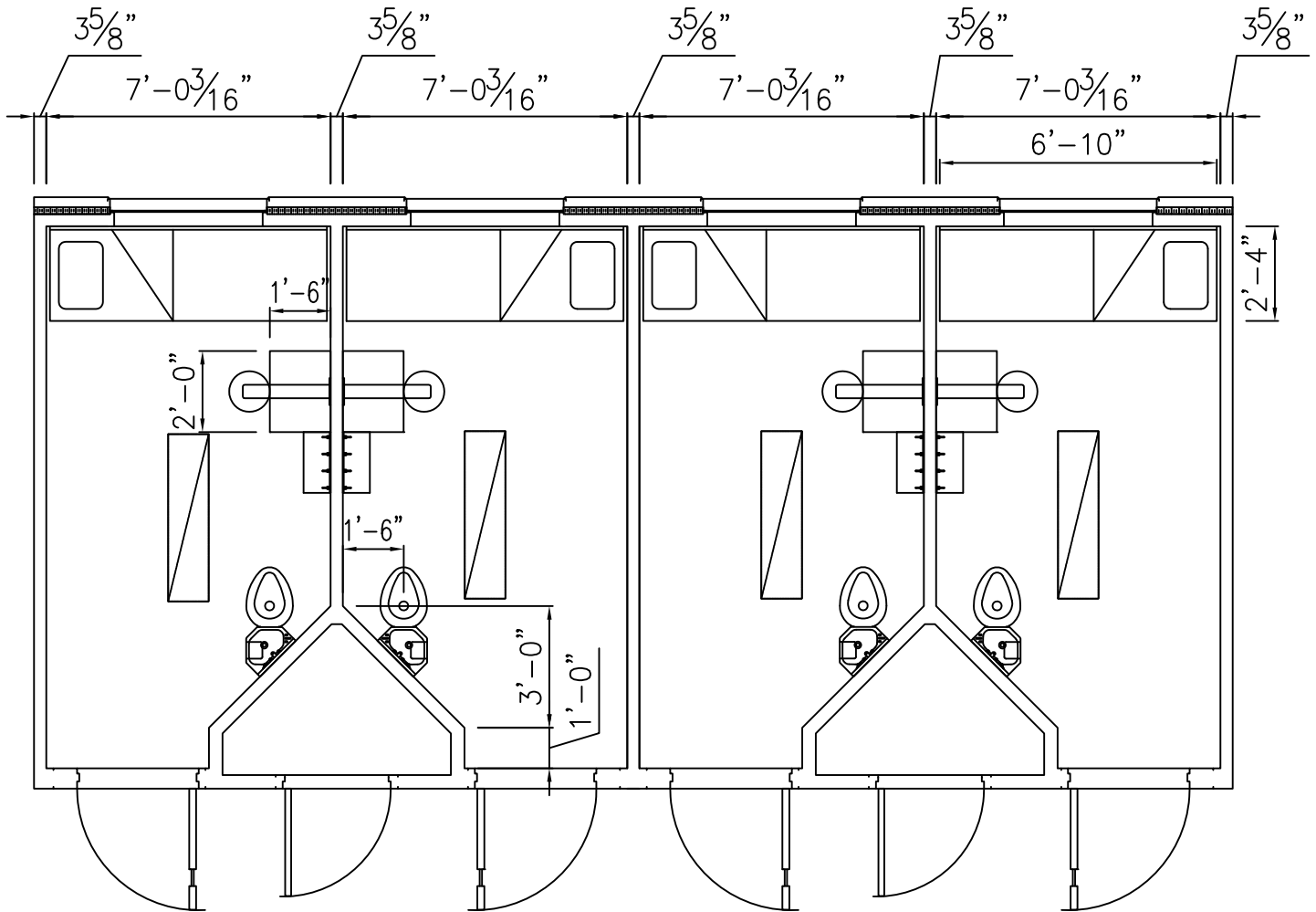
# Tindall

**TINDALL CORPORATION**  
CONLEY CORRECTIONS DIVISION  
P.O. BOX 280, CONLEY, GEORGIA 30288  
3361 GRANT ROAD, CONLEY, GEORGIA 30288  
(404)366-6270 FAX (404)366-1738

85 SF QUAD CELL MODULE (FRONT CHASE DESIGN)

For adaptation by architect to federal, state, local building codes

DATE 9/4/09	DESIGN TINDALL	JOB PRISON PROJECT	JOB No. PROPOSED
SCALE NTS	DRAWN CRR	FOR CORRECTIONS AUTHORITY, OWNER, ARCHITECT	MODULE No. CF 85 TBW



ENCUMBERED AREA: 80.1 SQFT  
 UNENCUMBERED AREA: 86.3 SQFT

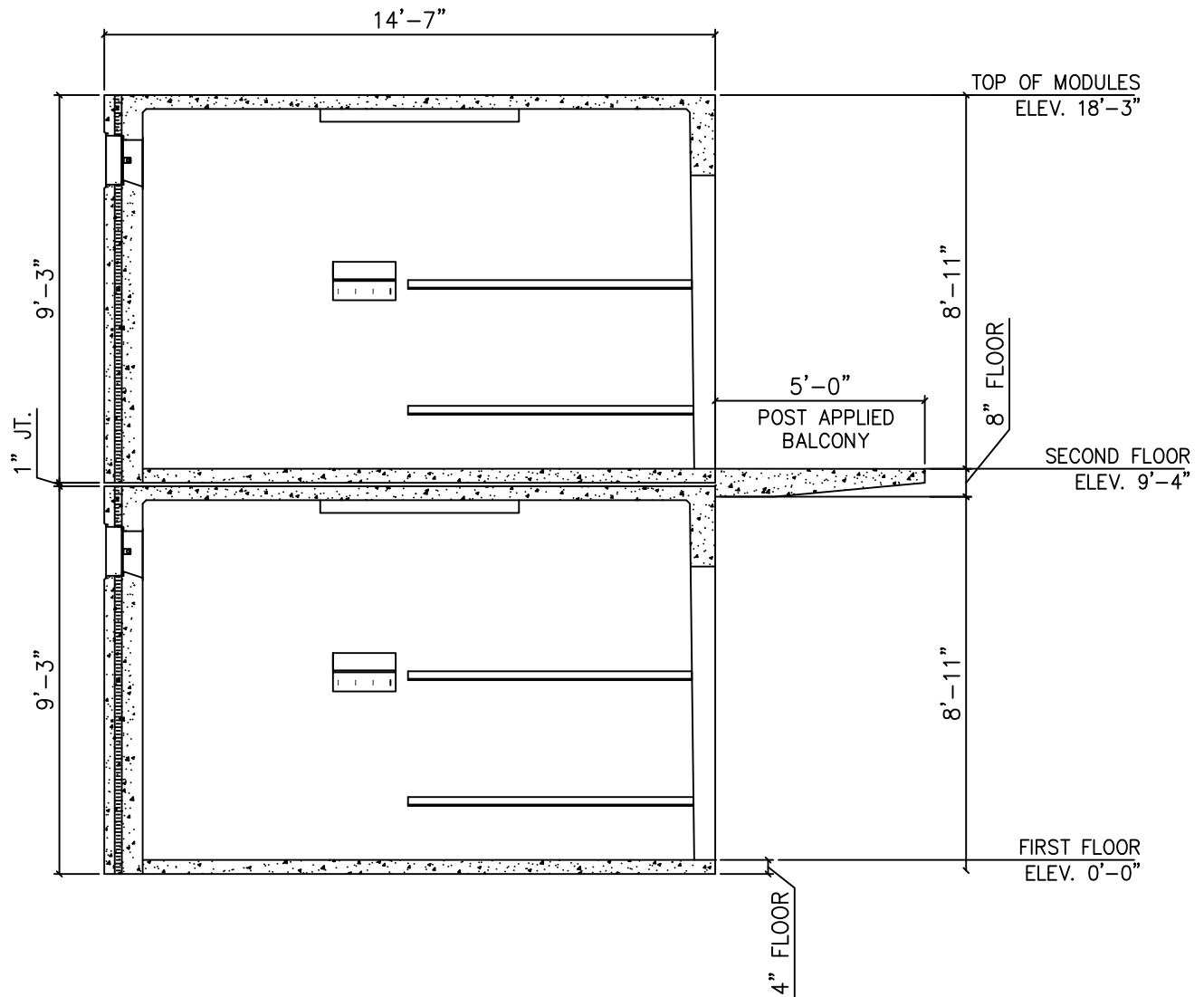
# Tindall

**TINDALL CORPORATION**  
 CONLEY CORRECTIONS DIVISION  
 P.O. BOX 280, CONLEY, GEORGIA 30288  
 3361 GRANT ROAD, CONLEY, GEORGIA 30288  
 (404)366-6270 FAX (404)366-1738

85 SF QUAD CELL MODULE (FRONT CHASE DESIGN)

For adaptation by architect to federal, state, local building codes

DATE 9/4/09	DESIGN TINDALL	JOB PRISON PROJECT	JOB No. PROPOSED
SCALE NTS	DRAWN CRR	FOR CORRECTIONS AUTHORITY, OWNER, ARCHITECT	MODULE No. CF 85 TBW



# Tindall

**TINDALL CORPORATION**

CONLEY CORRECTIONS DIVISION  
 P.O. BOX 280, CONLEY, GEORGIA 30288  
 3361 GRANT ROAD, CONLEY, GEORGIA 30288  
 (404)366-6270 FAX (404)366-1738

85 SF QUAD CELL MODULE - ELEVATION VIEW

For adaptation by architect to federal, state, local building codes

DATE	DESIGN	JOB	JOB No.
9/4/09	TINDALL	PRISON PROJECT	PROPOSED
SCALE	DRAWN	FOR	MODULE No.
NTS	CRR	CORRECTIONS AUTHORITY, OWNER, ARCHITECT	CF 85 TBW