

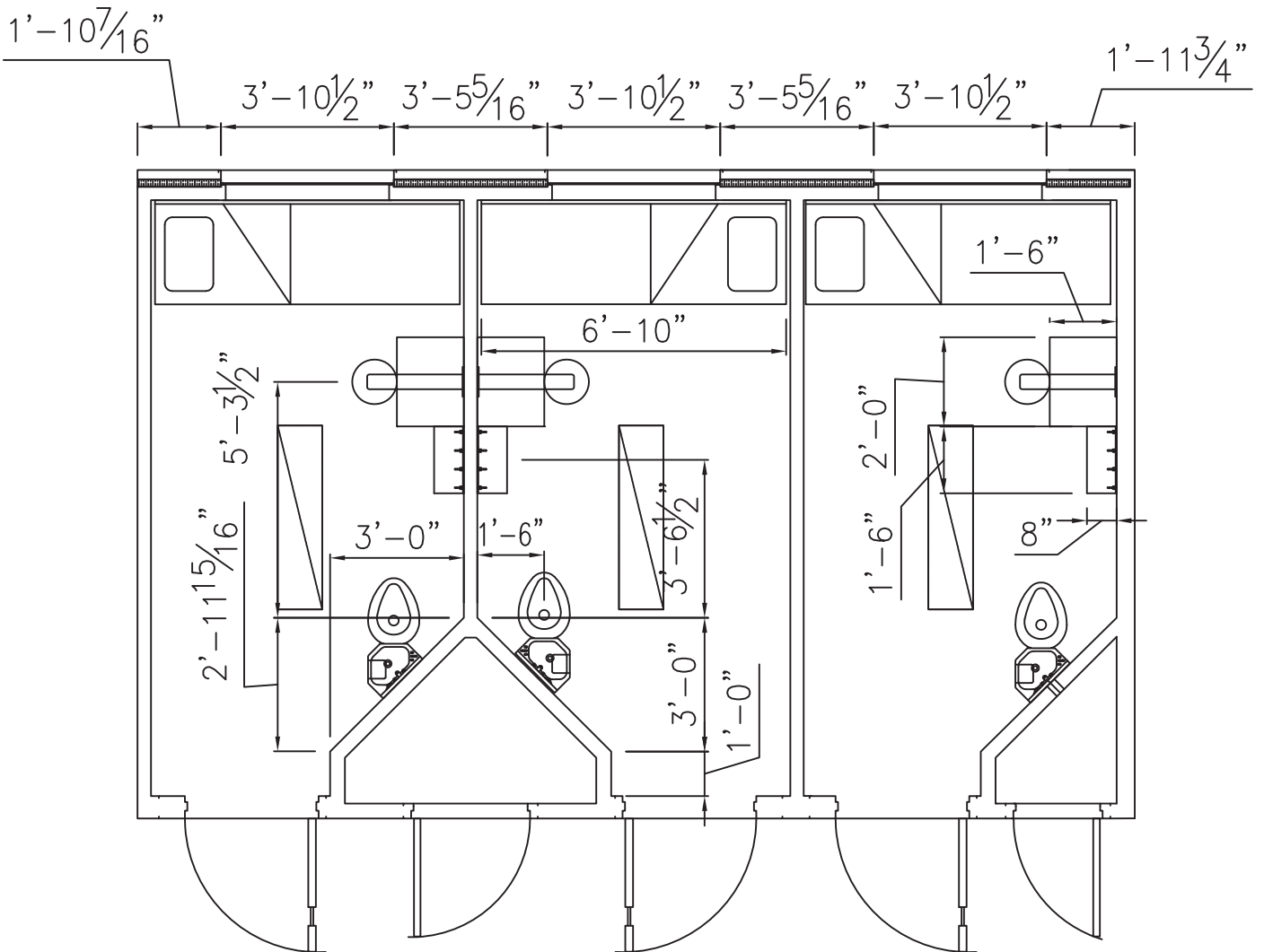
Tindall

TINDALL CORPORATION
 CONLEY CORRECTIONS DIVISION
 P.O. BOX 280, CONLEY, GEORGIA 30288
 3361 GRANT ROAD, CONLEY, GEORGIA 30288
 (404)366-6270 FAX (404)366-1738

85 SF TRIPLE CELL MODULE (FRONT CHASE DESIGN)

For adaptation by architect to federal, state, local building codes

DATE 2/25/10	DESIGN TINDALL	JOB PRISON PROJECT	JOB No. PROPOSED
SCALE NTS	DRAWN CRR	FOR CORRECTIONS AUTHORITY, OWNER, ARCHITECT	MODULE No. CF 85 TBW



ENCUMBERED AREA: 863 SQFT
 UNENCUMBERED AREA: 63.3 SQFT

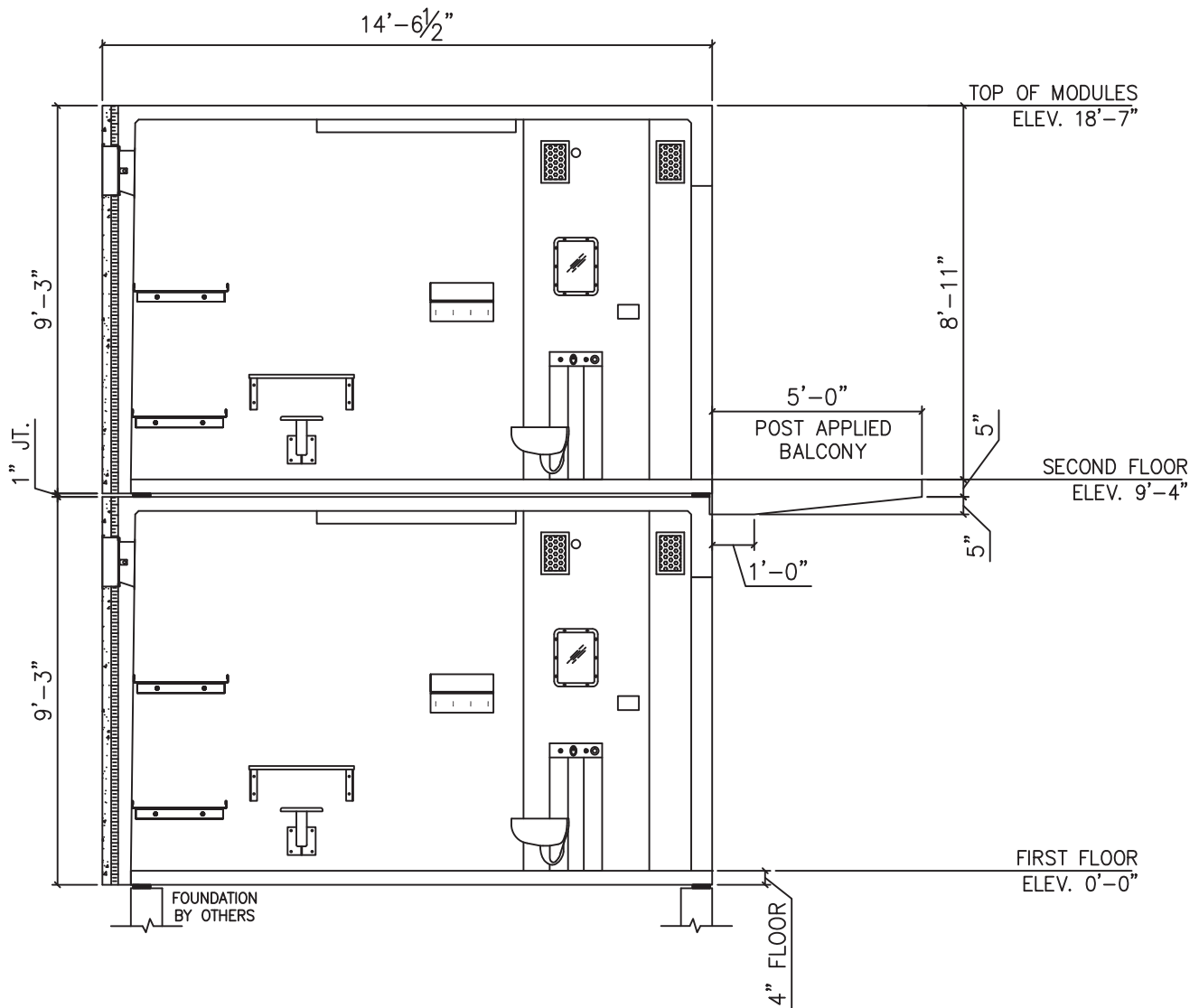
Tindall

TINDALL CORPORATION
 CONLEY CORRECTIONS DIVISION
 P.O. BOX 280, CONLEY, GEORGIA 30288
 3361 GRANT ROAD, CONLEY, GEORGIA 30288
 (404)366-6270 FAX (404)366-1738

85 SF TRIPLE CELL MODULE (FRONT CHASE DESIGN)

For adaptation by architect to federal, state, local building codes

DATE 2/25/10	DESIGN TINDALL	JOB PRISON PROJECT	JOB No. PROPOSED
SCALE NTS	DRAWN CRR	FOR CORRECTIONS AUTHORITY, OWNER, ARCHITECT	MODULE No. CF 85 TBW



Tindall

TINDALL CORPORATION
 CONLEY CORRECTIONS DIVISION
 P.O. BOX 280, CONLEY, GEORGIA 30288
 3361 GRANT ROAD, CONLEY, GEORGIA 30288
 (404)366-6270 FAX (404)366-1738

85 SF TRIPLE CELL MODULE - ELEVATION VIEW

For adaptation by architect to federal, state, local building codes

DATE 2/25/10	DESIGN TINDALL	JOB PRISON PROJECT	JOB No. PROPOSED
SCALE NTS	DRAWN CRR	FOR CORRECTIONS AUTHORITY, OWNER, ARCHITECT	MODULE No. CF 85 TBW